



FW-KP

WIRELESS KEYPAD



INSTALLATION INSTRUCTIONS & USER MANUAL

P/N 7101618 Rev. B ME-YS

The FW-KP is a wireless remote control keypad for POWERWAVE & RUNNER security and home automation control panels.

The FW-KP enables easy programming, arming and disarming of the control panel. It also allows to control devices from anywhere in the home or office, using keypad commands.

FEATURES:

- Designed to comply with European Standards
- Easy programming
- User-friendly operation
- Hand-held use and wall mounting
- Back light illumination
- Visual LED's indications
- Audible signals confirm user commands
- Up to 300 m range in open space
- FSK unique technology
- Keypads copy via smart EEPROM
- Up to 5 year lithium battery life
- Full Supervision

MAKING YOUR FW-KP WORKING WITH A WIRELESS CONTROL PANEL

1. INSTALL THE FW-RCV.
2. ENROLL REQUIRED OPERATION RADIO SIGNAL (ARM /DISARM/STAY/CONTROL.
3. SET RADIO PANIC ALARM TO AUDIBLE OR SILENT.
4. ACTIVATE OUTPUT BY CHANNEL PANIC **IF REQUIRED.**
5. ACTIVATE OUTPUT BY RADIO CHANEL **IF REQUIRED.**
6. SET PENDANT CHIRPS FOR ARM/DISARM PARTITION "A" AND PARTITION "B" IF REQUIRED.

ENROLLING RADIO CHANNELS

In order to load a radio command on the panel, press the appropriate address number (e.g. P614E for channel 4).

The keypad buzzer will beep once for a second to indicate learn mode has been initiated and the FW-RCV board LED will flash. The radio signal you wish to load must transmit a signal within 30 seconds from entering learn mode, otherwise the panel will time out and no code will be loaded. If a valid code is received within the 30 seconds the keypad will

give 3 short beeps and exit learn mode. To remove a loaded radio channel, enter in the code load address as above eg P614E, then without operating the transmitter and before the 30 second timer expires, press the “Enter” button. This will remove the code loaded against this address (in this case radio channel 4).

HOW TO CHANGE OR ADD CODES

Add:	Getting into installer mode	LED indication	New User
User 1	PROG → INSTALLER → ENTER	PROG/ERR	PROG → 1 → ENTER → CODE → ENTER
User 2	PROG → INSTALLER → ENTER	PROG/ERR	PROG → 2 → ENTER → CODE → ENTER
User 3	PROG → INSTALLER → ENTER	PROG/ERR	PROG → 3 → ENTER → CODE → ENTER
User 4	PROG → INSTALLER → ENTER	PROG/ERR	PROG → 4 → ENTER → CODE → ENTER
Remove :			
User 1	PROG → INSTALLER → ENTER	PROG/ERR	PROG → User Number → ENTER → ENTER
Installer	PROG → INSTALLER → ENTER	PROG/ERR	PROG → 0 → ENTER → NEW CODE → ENTER

HOW TO ENROLL COMMANDS TO THE WIRELESS CONTROL PANEL?

FIRST: Get into the address (left column below) and then proceed with enrolling procedure.

Enroll:	Press:	Led indication	Control panel enroll address
ARM Button	CODE → ARM	PWR/TX (blink)	PW8 – PROG → 611-618 → ENTER RUNNER – PROG → 18 → ENTER 21-100 → ENTER FW-64 – PROG → 550 → ENTER 21-100 → ENTER
DISARM Button	CODE → DISARM	PWR/TX (blink)	PW8 – PROG → 611-618 → ENTER RUNNER – PROG → 18 → ENTER 21-100 → ENTER FW-64 – PROG → 550 → ENTER 21-100 → ENTER
STAY Button	CODE → STAY	PWR/TX (blink)	PW8 – PROG → 611-618 → ENTER RUNNER – PROG → 18 → ENTER 21-100 → ENTER FW-64 – PROG → 550 → ENTER 21-100 → ENTER
CONTROL Button	CODE → CONTROL	PWR/TX (blink)	PW8 – PROG → 611-618 → ENTER RUNNER – PROG → 18 → ENTER 21-100 → ENTER FW-64 – PROG → 550 → ENTER 21-100 → ENTER

PANIC (1 & 3)	PRESS 1 & 3 FOR 2 seconds	PWR/TX (blink)	PW8 - [] PROG [] 611-618 [] ENTER RUNNER - [] PROG [] 18 [] ENTER 21-100 [] ENTER FW-64 - [] PROG [] 550 [] ENTER 21-100 [] ENTER
-----------------	---------------------------	-----------------	---

HOW TO USE THE PLUG-IN DATA TRANSFER MODULE (DTU)

Plug the DTU module (CROW P/N 0060330) to the black socket located at the back of the FW-KP.

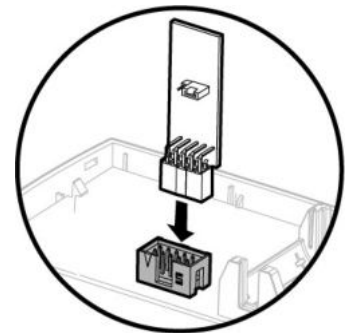
Read from DTU module

[] PROG [] INSTALLER CODE [] ENTER [] COPY [] 9 [] ENTER

Write to DTU module

[] PROG [] INSTALLER CODE [] ENTER [] COPY [] 1 [] ENTER

NOTE: When the SWITCH is not in WRITE position, the data in the DTU can not be written over.



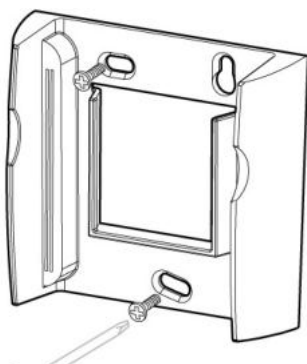
HOW TO RESTORE ALL TO FACTORY DEFAULTS?

Remove the lithium battery and insert the battery again within 30sec'

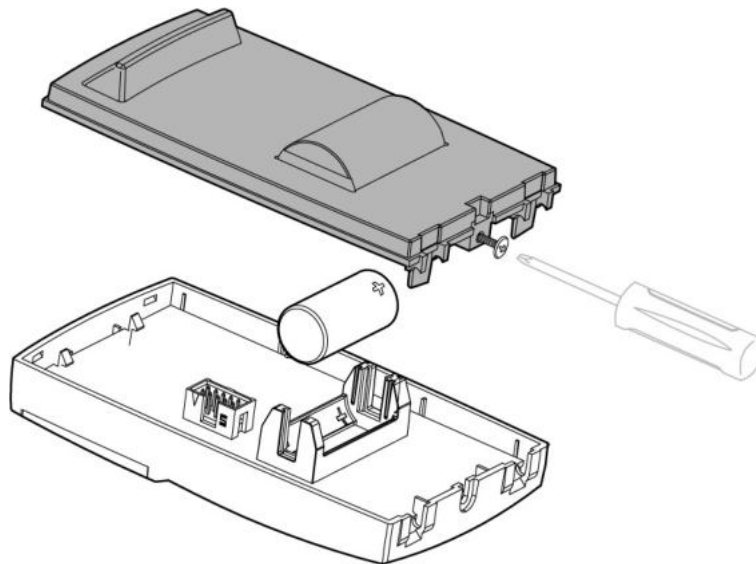
[] PROG [] INSTALLER CODE [] ENTER [] CLEAR & 9

Note: Press "CLEAR & 9" until the 3 panel indication LED's are blinking

HOW TO INSTALL THE FW-KP?



HOW TO REPLACE BATTERY?



CAUTION !!!

RISK OF EXPLOSION IF BATTERY IS
REPLACED BY AN INCORRECT TYPE.

DISPOSE OF USED BATTERIES
ACCORDING TO THE INSTRUCTIONS.

The battery must be replaced by:

3.6V Lithium Battery Size: 1/2AA

Models as: XL-050F ENERGY

LS14250 SAFT

TECHNICAL SPECIFICATIONS

Data Protocol	FreeWave
Modulation Type	FSK
Frequency band	868MHz
Identification	Unique ID serial number – 24 bit
Event Transmission	Arm, Disarm, Stay, Control, Panic, Low Bat
Range in open space	up to 300 m
Battery	Lithium. 3.6V Type: XL-050F Size: 1/2AA
Current Consumption	Standby <1 μ A Operator Mode ~16 mA Transmission ~30 mA
Operating temperature	
Range	0°C to +50°C
Dimensions	133mm x 75mm x 30mm
Weight (inc. battery)	225 gr.

This device complies with:

European Council Directive EMC 89/336/EEC

EN50130-4

EN301489

EN300220

EN50081.

SAFETY 73/23/EEC

EN60950 (ITE)

CROW ELECTRONIC ENGINEERING LTD. ("CROW") WARRANTY POLICY CERTIFICATE

This Warranty Certificate is given in favor of the purchaser (hereunder the "**Purchaser**") purchasing the products directly from Crow or from its authorized distributor.

Crow warrants these products to be free from defects in materials and workmanship under normal use and service for a period of 24 months from the last day of the week and year whose numbers are printed on the printed circuit board inside these products (hereunder the "**Warranty Period**").

Subject to the provisions of this Warranty Certificate, during the Warranty Period, Crow undertakes, at its sole discretion and subject to Crow's procedures, as such procedures are from time to time, to repair or replace, free of charge for materials and/or labor, products proved to be defective in materials or workmanship under normal use and service. Repaired products shall be warranted for the remainder of the original Warranty Period.

All transportation costs and in-transit risk of loss or damage related, directly or indirectly, to products returned to Crow for repair or replacement shall be borne solely by the Purchaser.

Crow's warranty under this Warranty Certificate does not cover products that is defective (or shall become defective) due to: (a) alteration of the products (or any part thereof) by anyone other than Crow; (b) accident, abuse, negligence, or improper maintenance; (c) failure caused by a product which Crow did not provide; (d) failure caused by software or hardware which Crow did not provide; (e) use or storage other than in accordance with Crow's specified operating and storage instructions.

There are no warranties, expressed or implied, of merchantability or fitness of the products for a particular purpose or otherwise, which extend beyond the description on the face hereof.

This limited Warranty Certificate is the Purchaser's sole and exclusive remedy against Crow and Crow's sole and exclusive liability toward the Purchaser in connection with the products, including without limitation - for defects or malfunctions of the products. This Warranty Certificate replaces all other warranties and liabilities, whether oral, written, (non-mandatory) statutory, contractual, in tort or otherwise.

In no case shall Crow be liable to anyone for any consequential or incidental damages (inclusive of loss of profit, and whether occasioned by negligence of the Crow or any third party on its behalf) for breach of this or any other warranty, expressed or implied, or upon any other basis of liability whatsoever. Crow does not represent that these products can not be compromised or circumvented; that these products will prevent any person injury or property loss or damage by burglary, robbery, fire or otherwise; or that these products will in all cases provide adequate warning or protection.

Purchaser understands that a properly installed and maintained product may in some cases reduce the risk of burglary, fire, robbery or other events occurring without providing an alarm, but it is not insurance or a guarantee that such will not occur or that there will be no personal injury or property loss or damage as a result.

Consequently, Crow shall have no liability for any personal injury; property damage or any other loss based on claim that these products failed to give any warning.

If Crow is held liable, whether directly or indirectly, for any loss or damage with regards to these products, regardless of cause or origin, Crow's maximum liability shall not in any case exceed the purchase price of these products, which shall be the complete and exclusive remedy against Crow.

CROW ELECTRONIC ENGINEERING LTD.

ISRAEL: **Crow Electronic Engineering Ltd.**
12 Kineret St. Airport City
P.O. Box 293, Ben Gurion Airport, 70100
Tel: 972-3-9726000
Fax: 972-3-9726001
E-mail: support@crow.co.il

USA: **2160 North Central Road,**
Fort Lee, N.J. 07024
Tel: 1-800-GET CROW
or (201) 944 0005
Fax: (201) 944 1199
E-mail: support@crowelec.com

AUSTRALIA: **142 Keys Road Cheltenham Vic 3192**
Tel: 61-3-9553 2488
Fax: 61-3-9553 2688
E-mail: crow@crowaust.com.au

POLAND: **VIDICON SP. ZO. O.**
15 Povazkowska St.
01 – 797 Warsaw Poland
Tel: 48 22 562 3000
Fax: 48 22 562 3030
E-mail: vidicon@vidicon.pl

LATIN AMERICA: **CROW LATIN AMERICA**
5753 NW 151ST.Street
MIAMI LAKES,
FL 33014 – USA
Tel: +1-305-823-8700
Fax: +1-305-823-8711
E-mail: sales@crowlatinamerica.com

ITALY: **DEATRONIC**
VIA Giulianello 4/14
00178 ROMA, ITALY
Tel: +39-0676-12912
Fax: +39-0676-12601
E-mail: info@deatronic.com