

FX-360



COST EFFECTIVE PERFECTION

The FX-360 Ceiling Mount Detector with its Unique, Highly, Durable Spherical Lens Offers Unparalleled 360° Detection Performance and Reliability.

The FX-360 is an extremely cost effective 360° ceiling mount detector. It provides the most unbeatable detection performance and reliability in its class. The FX-360's sleek and compact design suits all types of installation applications.

360° CEILING MOUNT
PASSIVE INFRARED DETECTOR

FX-360



FEATURES

■ Originally Designed Hard Spherical Lens

The FX-360's hard spherical lens is designed with precision—an original feature that enables this detector to provide reliable detection throughout its 360° area.

■ False Alarm Protection

The FX-360 prevents false alarms caused by environmental changes or insensitivity to high temperatures.

- RFI Protection
No alarm at 20V/m from 100MHz. to 1GHZ.
- Temperature Protection
No alarm during temperature changes from -20° to +50°C at 1.7°C/min. (-4° to +122°F at 3°F/min.)
- Noise Reduction Circuit
- Selectable Pulse Count: 2,4.

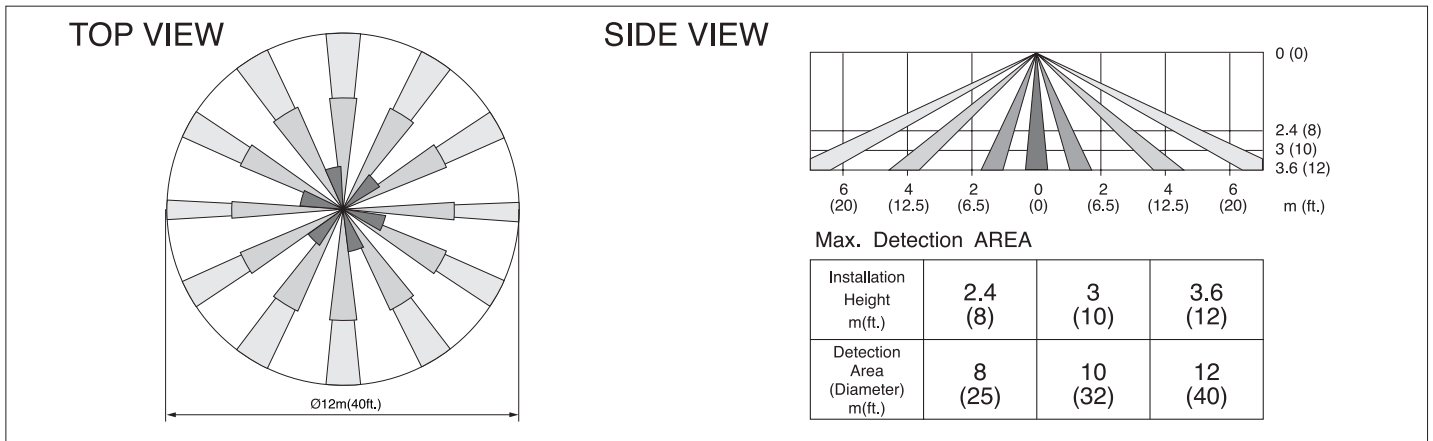
■ Advanced Quality Control

- Computerized S.M.D. Technology
Using robotics to mount miniaturized chip components ensures a smooth and uniform production level of high quality.
- Running Test on every circuit board
All circuit boards sustain a "Burn-in" test for many hours.

■ Other Features

- LED On/Off Switch
- Warm-up Indicator

DETECTION PATTERNS



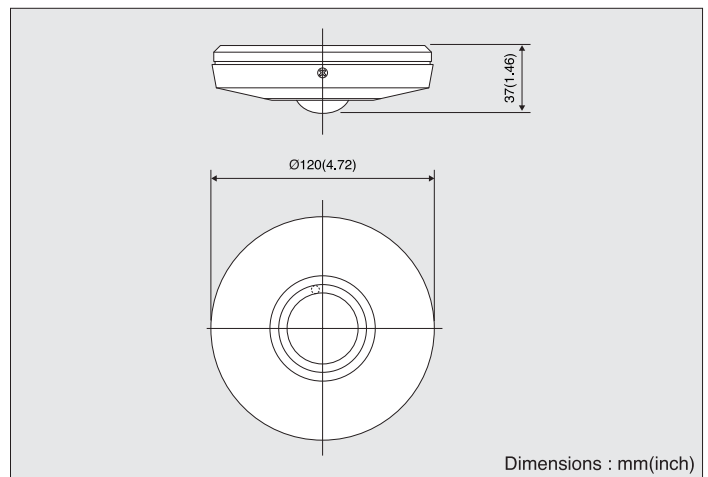
SPECIFICATIONS

| | |
|-----------------------|------------------------------------------------------------------|
| Model | FX-360 |
| Detection method | Passive Infrared |
| Coverage | Ø8m ~ Ø12m(Ø25ft. ~ Ø40ft.) Height: 2.4m ~ 3.6m(8ft. ~ 12ft.) |
| Detection zones | 62 zones |
| Sensitivity | 1.6°C(3°F) at 0.6m/sec.(2ft./sec.) |
| Detectable speed | 0.3 ~ 1.5m (1 ~ 5ft./sec./sec.) |
| LED indicator | LED blinks during warm-up period Alarm condition |
| Alarm period | 2.0±0.5sec. |
| Alarm output | N.C. 28V DC 0.2A max. |
| Tamper switch | N.C. Opens when cover removed. |
| Pulse count | 20±5sec. 2 or 4 |
| Warm-up period | Approx. 30sec. (LED blinks) |
| Power input | 9.5 ~ 18V DC |
| Current draw | 17mA/(normal) 18mA/(max.) |
| Weight | 140g(4.90oz.) |
| Operating temperature | -20°C ~ +50°C(-4°F ~ +122°F) |
| Environment humidity | 95% max. |
| RF interference | No Alarm 20 V/m |

※ Specifications and design are subject to change without prior notice.
NOTE: This unit is designed to detect movement and activate an alarm control panel. Being only a part of a complete system, we cannot assume responsibility for theft or damages, should they occur.

UL LISTED : FX-360 vds LISTED:FX-360-VG196506

DIMENSIONS



OPTEX CO., LTD. (ISO 9001 Certified by LRQA / ISO14001 Certified by JET)
5-8-12 Ogoto, Otsu, Shiga, 520-0101 Japan
TEL +81(0)77 579 8670 FAX +81(0)77 579 8190 <http://www.optex.co.jp/e>

OPTEX INCORPORATED (USA) <http://www.optexamerica.com>

OPTEX (EUROPE) LTD. (UK) <http://www.optexeurope.com>
(ISO9001 Certified by NQA)

OPTEX SECURITY SAS (FRANCE) <http://www.optex-security.com>

OPTEX KOREA CO., LTD. (KOREA) <http://www.optexkorea.com>

OPTEX SECURITY Sp. z o.o. (POLAND)

OPTEX (DONGGUAN) CO., LTD. <http://www.optexchina.com>

Shenzhen office (CHINA)

"Take Care of the Environment" This catalogue uses recycled paper

No. 75069-05-909-0703