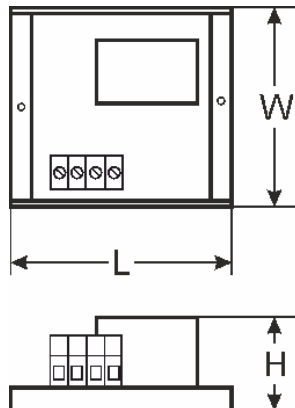
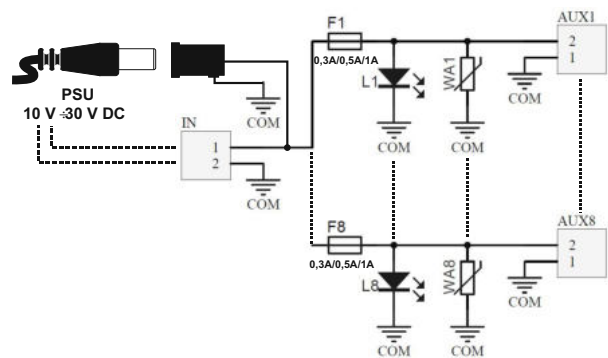


CODE: **AWZ580** v.1.0/V  
NAME: **LB8/0,3A-0,5/FTA fuse module**

EN



**DESCRIPTION**

The fuse module is intended for dividing power in low-voltage alarm systems (power distribution) that require voltage within the range of: 10V ÷ 30V DC. It contains two power inputs: a screw connector and a DC 5,5/2,1 outlet and eight power outputs AUX1÷AUX8 which are independently secured with 0,5A (the possibility of using 0,3A, not supplied) glass fuses. An activation of the fuse is indicated by an appropriate LED going out: L1 for AUX1, L2 for AUX2 etc. Additionally, each output is secured by a varistor which protects the PSU and the receivers against surges in the power circuit.

**SPECIFICATIONS**

<b>Supply voltage</b>	10V÷ 30V DC
<b>Output voltage</b>	$U_{AUX} = U_{IN}$ (equal to supply voltage)
<b>Current consumption</b>	9 mA÷ 60 mA @ $U_{IN} = 10V \div 30V$ DC
<b>Number of power inputs</b>	2: a DC 5,5/2,1 outlet or a screw connector
<b>Number of power outputs</b>	8 (AUX terminals)
<b>Protections against:</b> - a short circuit SCP - an overload OLP - a surge	- 8 x 0,5A - 8 x 0,5A (the possibility of using 0,3A fuses, not supplied) - varistors
<b>LED indication</b>	Green LEDs L1 ÷ L8 – AUX1÷AUX8 outputs status
<b>F1 ÷ F8 fuses</b>	8 x F0,5A
<b>Operating conditions</b>	II environmental class, -10°C ÷ 50°C
<b>Dimensions</b>	L=124, W=43, H=20 (+/-2mm)
<b>Fixing</b>	a mounting tape or dowel pins x 2 (holes Ø3mm)
<b>Connectors:</b> - of power output - of power input	- screw connectors $\Phi 0,41 \div 1,63$ (AWG 26-14) - a DC 5,5/2,1 outlet or a screw connector $\Phi 0,41 \div 1,63$ (AWG 26-14)
<b>Net/gross weight</b>	0,07kg / 0,10kg
<b>Declarations, warranty</b>	CE, 2 year from the production date