

DHI-VTO4202F-X Series

Modular Outdoor Station



Technical Specification

Model	DHI-VTO4202F-P
System	
Main Processor	SoC processor
Operating System	Embedded Linux operation system
Network Protocol	IPv4, RTSP, RTP, TCP, UDP, SIP, P2P
Basic	
Camera	CMOS Low illumination 2MP HD colorful 160° fisheye camera
Angle of View	H:160°, V:82°, D:180°
Focal Length	1.95 mm
WDR	WDR
Noise Reduction	Noise suppression and echo cancellation
Video Encoding	H.264
Frame Rate	PAL: 25 fps; NTSC: 30 fps
Video Bit Rate	256K to 2M
Light Compensation	IR light
Day/Night Switch	Yes
Audio Encoding	PCM G.711 A G.711 U
Audio Input	Built-in omnidirectional microphone
Audio Output	Built-in loudspeaker
Audio Bit Rate	16 Khz 16bit
Function	
Communication Methods	Digital communication
Unlock Mode	Remote unlocking
Auto Snapshot	Yes
Leave Videos or Text Messages	Yes
Web Configuration	Yes

- Modules make the device with great expansibility
- Anodized front aluminum panel; IK07
- Supports voice and video communication
- 2MP high definition fisheye camera with 160° view range
- Access control function; controls two locks
- Compatible with 2-wire interface and RJ45 interface
- Surface mount and flush mount
- IP65 (Apply silica gel to gaps between the device and the wall. Liquid sodium silicate is recommended. For details, see the quick start guide)



Performance

Housing Material	Aluminum
Port	
RS-485 Port	1 RS-485 half-duplex port
Alarm Output Port	1
Power Output Port	1-ch DC 12V output 100mA
Unlock Button	Exit button for opening the door
Door Status Detection	Detects door magnetic status
Door Lock Control	NC/COM/NO
Ethernet Port	10/100 Mbps self-adaptive Ethernet/2-wire

Alarm

Tamper Alarm	Tamper alarm
--------------	--------------

Regular

Ingress Protection	IP65 (Apply silica gel to gaps between the device and the wall. Liquid sodium silicate is recommended. For details, see the quick start guide.)
Appearance Color	Silver
Housing Material	Aluminum
Power Supply Mode	DC 12V/2-Wire IP Interface/PoE
Installation Method	Surface mount and flush mount
Accessory	Mounting box
Dimensions	100 mm × 100 mm × 49.30 mm (3.94" × 3.94" × 1.94")
Protection Grade	IK07, IP65 (Apply silica gel to gaps between the device and the wall. Liquid sodium silicate is recommended. For details, see the quick start guide)
Working Temperature	-20 °C to +60 °C (-4 °F to +140 °F)
Working Humidity	10%–90% (RH)
Power Consumption	≤ 12 W
Net Weight	0.35 kg (0.77 lb)
Gross Weight	0.4 kg (0.88 lb)

VTO4 Series | DHI-VTO4202F-X Series

Model	DHI-VTO4202F-MB1 DHI-VTO4202F-MB2	DHI-VTO4202F-MB5	DHI-VTO4202F-MF
-------	--------------------------------------	------------------	-----------------

System

Main Processor	Embedded MCU processor
----------------	------------------------

Capacity

Fingerprint	-	3000
-------------	---	------

Button

Button Type	Mechanical button	-
-------------	-------------------	---

Port

Power Output Port	DC 5V (Provide power for other modules)
-------------------	---

Regular

Power Supply Mode	DC 5V (Provided with power by other modules)
-------------------	--

Color	Silver
-------	--------

Dimensions	100 mm × 49.90 mm × 30.50 mm (3.94" × 1.96" × 1.20")	100 mm × 100 mm × 31 mm (3.94" × 3.94" × 1.22")	100 mm × 100 mm × 38.50 mm (3.94" × 3.94" × 1.52")
------------	---	--	---

Protection Grade	IK07; IP65 (Apply silica gel to gaps between the device and the wall. Liquid sodium silicate is recommended. For details, see the quick start guide.)		
------------------	---	--	--

Operating Temperature	-20 °C to +60 °C (-4 °F to +140 °F)		
-----------------------	-------------------------------------	--	--

Operating Humidity	10%–90% (RH)		
--------------------	--------------	--	--

Power Consumption	1 W		
-------------------	-----	--	--

Gross Weight	0.18 kg (0.40 lb)	0.31 kg (0.68 lb)	0.33 kg (0.73 lb)
--------------	-------------------	-------------------	-------------------

Appearance Color	Silver		
------------------	--------	--	--

System

Main Processor	Embedded MCU processor
----------------	------------------------

Button

Button Type	Metal backlight keyboard (0–9, *, #)	-
-------------	---	---

Indicator

Indicator Lights	-	3
------------------	---	---

Port

Power Output Port	DC 5V (Provide power for other modules)
-------------------	---

Regular

Power Supply Mode	DC 5V (Provided with power by other modules)
-------------------	--

Color	Silver
-------	--------

Dimensions	100 mm × 100 mm × 31 mm (3.94" × 3.94" × 1.22")	100 mm × 49.90 mm × 28.50 mm (3.94" × 1.96" × 1.12")
------------	--	---

Protection Grade	IK07; IP65 (Apply silica gel to gaps between the device and the wall. Liquid sodium silicate is recommended. For details, see the quick start guide.)	
------------------	---	--

Operating Temperature	-20 °C to +60 °C (-4 °F to +140 °F)	
-----------------------	-------------------------------------	--

Operating Humidity	10%–90% (RH)	
--------------------	--------------	--

Power Consumption	1 W	
Gross Weight	0.32 kg (0.71 lb)	0.19 kg (0.42 lb)
Model	DHI-VTO4202F-MR	DHI-VTO4202F-MS

System

Main Processor	Embedded MCU processor	
----------------	------------------------	--

Capacity

Card	10000	-
------	-------	---

Display

Display	-	3.0 inch STN display
---------	---	----------------------

Port

Power Output Port	DC 5V (Provide power for other modules)	
-------------------	---	--

Regular

Power Supply Mode	DC 5V (Provided with power by other modules)	
-------------------	--	--

Color	Silver	
-------	--------	--

Dimensions	100 mm × 49.90 mm × 28.50 mm (3.94" × 1.96" × 1.12")	100 mm × 100 mm × 28.50 mm (3.94" × 3.94" × 1.12")
------------	---	---

Protection Grade	IK07; IP65 (Apply silica gel to gaps between the device and the wall. Liquid sodium silicate is recommended. For details, see the quick start guide.)	
------------------	---	--

Operating Temperature	-20 °C to +60 °C (-4 °F to +140 °F)	
-----------------------	-------------------------------------	--

Operating Humidity	10%–90% (RH)	
--------------------	--------------	--

Power Consumption	1 W	
-------------------	-----	--

Gross Weight	0.17 kg (0.37 lb)	
--------------	-------------------	--

Model	DHI-VTO4202F-MN	
-------	-----------------	--

Regular

Appearance color	Silver	
------------------	--------	--

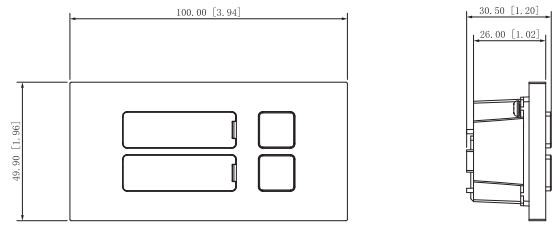
Dimensions	100 mm × 49.90 mm × 28.50 mm (3.94" × 1.96" × 1.12")	
------------	--	--

Protection grade	IK07; IP65 (Apply silica gel to gaps between the device and the wall. Liquid sodium silicate is recommended. For details, see the quick start guide.)	
------------------	---	--

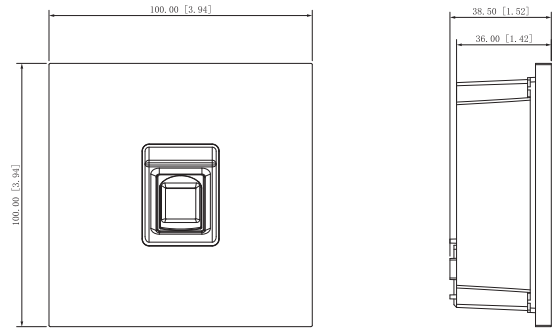
Gross Weight	0.16 kg (0.32 lb)	0.34 kg (0.75 lb)
--------------	-------------------	-------------------

Ordering Information

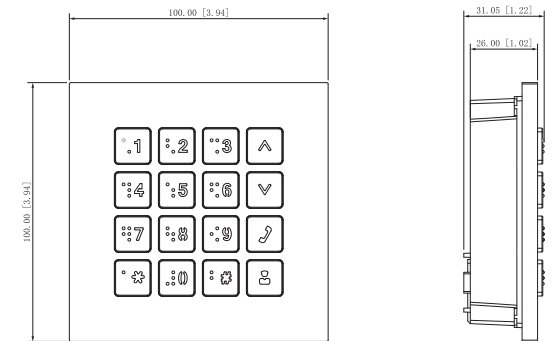
Type	Part Number	Description
Modules	DHI-VTO4202F-P	Camera module
	DHI-VTO4202F-MB1	One-button module
	DHI-VTO4202F-MB2	Two-button module
	DHI-VTO4202F-MB5	Five-button module
	DHI-VTO4202F-MS	Display module
	DHI-VTO4202F-ML	Indicator module
	DHI-VTO4202F-MK	Keyboard module
	DHI-VTO4202F-MF	Fingerprint module
	DHI-VTO4202F-MR	Card swiping module
	DHI-VTO4202F-MN	Blank Module
Accessories	VTM125	Two-modular mounting plate
	VTM126	Three-modular mounting plate
	VTM127	Two-modular mounting box
	VTM128	Three-modular mounting box



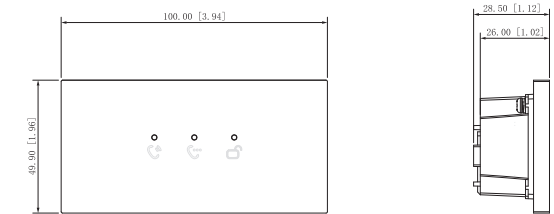
DHI-VTO4202F-MB2



DHI-VTO4202F-MF

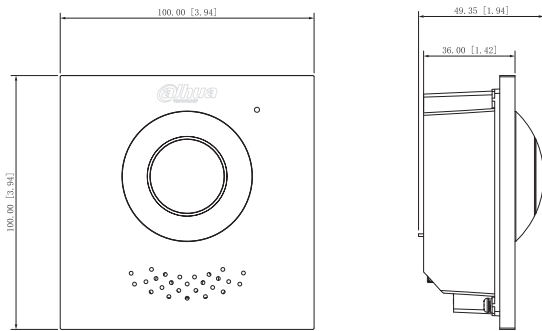


DHI-VTO4202F-MK

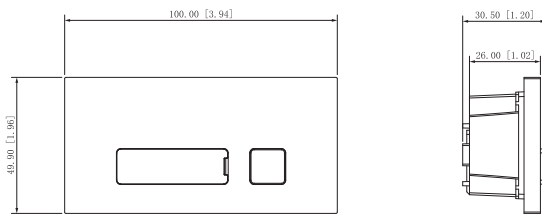


DHI-VTO4202F-ML

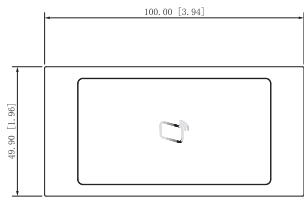
Dimensions (mm[inch])



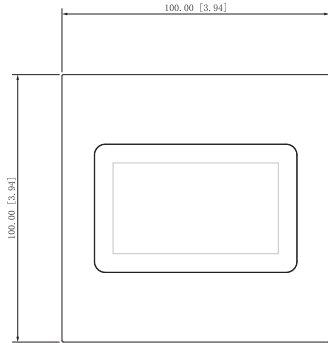
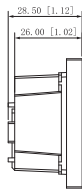
DHI-VTO4202F-P



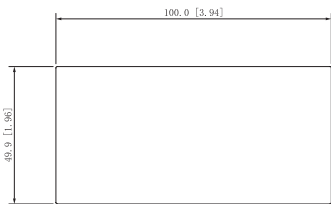
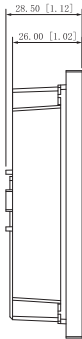
DHI-VTO4202F-MB1



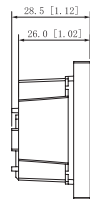
DHI-VTO4202F-MR



DHI-VTO4202F-MS



DHI-VTO4202F-MN



Application

