

# DH-PFB5202C

## In-ceiling Mount Bracket



- Supports in-ceiling mount installation and is applicable to large-size dome cameras.
- Easy to install and aesthetically pleasing.
- Designed for easy disassembly and maintenance.



Aesthetic Design



Easy Installation

### Scene

Ideal for mounting cameras, it works in temperatures ranging from  $-40^{\circ}\text{C}$  to  $+60^{\circ}\text{C}$  ( $-40^{\circ}\text{F}$  to  $+140^{\circ}\text{F}$ ) and in environments with relative humidity of less than 90%.

### Technical Specification

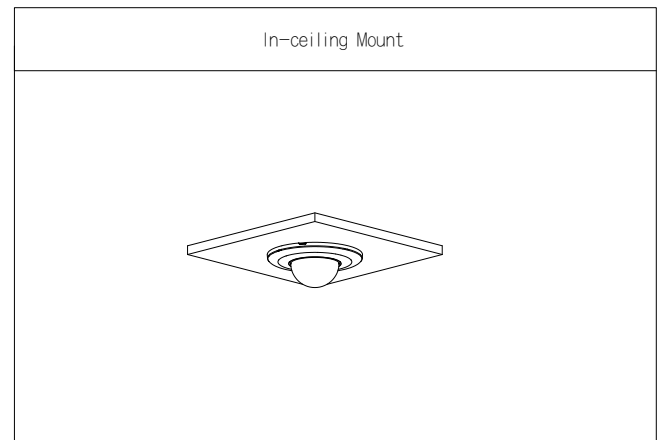
#### Structure

Product Material	SECC, PC
Product Dimensions	$\Phi 211.5\text{ mm} \times 109.7\text{ mm}$ ( $\Phi 8.33'' \times 4.32''$ )
Appearance Color	White
Net Weight	0.55 kg (1.21 lb)
Gross Weight	0.83 kg (1.83 lb)
Load Bearing	3.0 kg (6.61 lb)
Installation	In-ceiling Mount
Rotation Angle	Pan: $0^{\circ}$ to $360^{\circ}$
Applicable Model	Please see "Camera Accessories Selection"
Packaging Dimensions	$266.0\text{ mm} \times 266.0\text{ mm} \times 138.0\text{ mm}$ ( $10.47'' \times 10.47'' \times 5.43''$ ) (L x W x H)
Transport Package Dimensions	$719.0\text{ mm} \times 553.0\text{ mm} \times 298.0\text{ mm}$ ( $28.31'' \times 21.77'' \times 11.73''$ ) (L x W x H)
Packaging Method	10 pcs in each carton

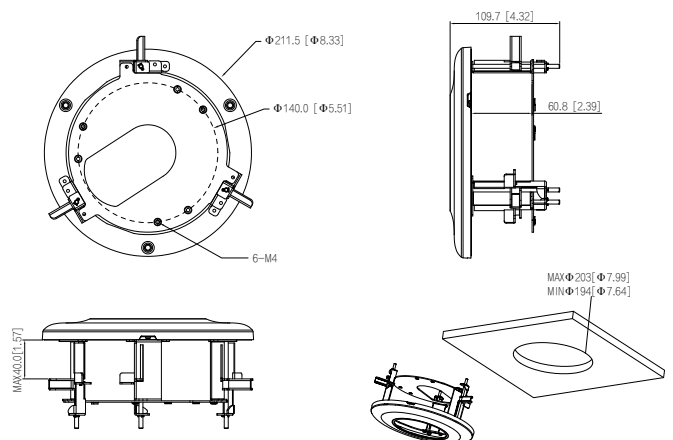
#### Environment

Operating Temperature	$-40^{\circ}\text{C}$ to $+60^{\circ}\text{C}$ ( $-40^{\circ}\text{F}$ to $+140^{\circ}\text{F}$ )
Operating Humidity	< 90% (RH)
Storage Temperature	$-40^{\circ}\text{C}$ to $+60^{\circ}\text{C}$ ( $-40^{\circ}\text{F}$ to $+140^{\circ}\text{F}$ )
Storage Humidity	10%–90% (RH)

### Installation



### Dimensions (mm[inch])



## Package Information

- In-ceiling mount bracket × 1
- Installation Guide × 1
- M4×14 screw × 3
- S3.0 wrench × 1