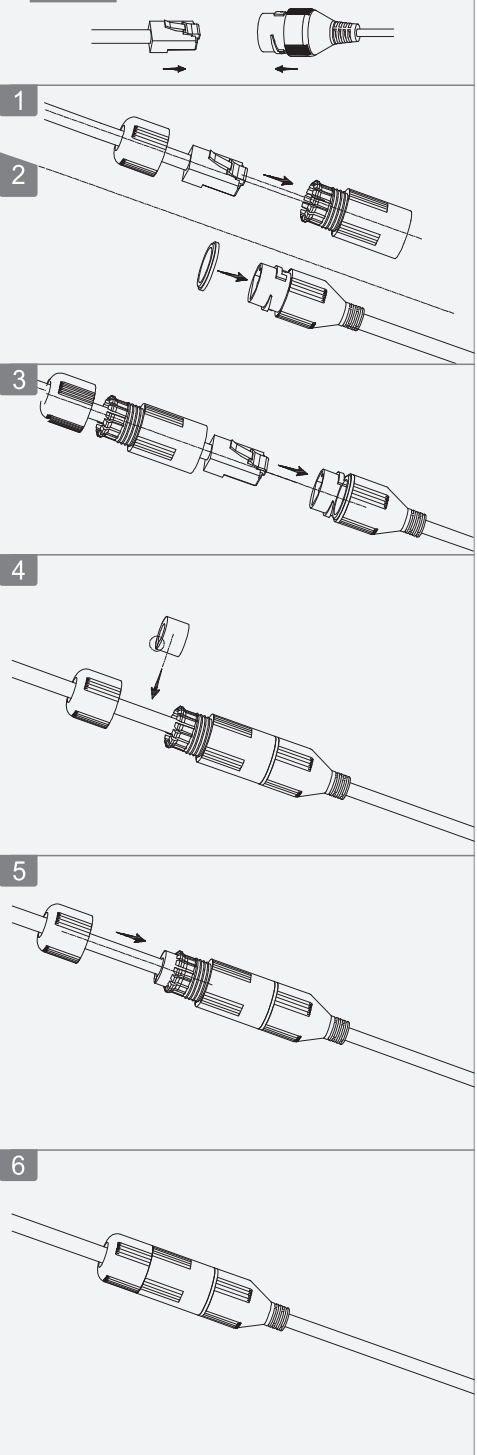
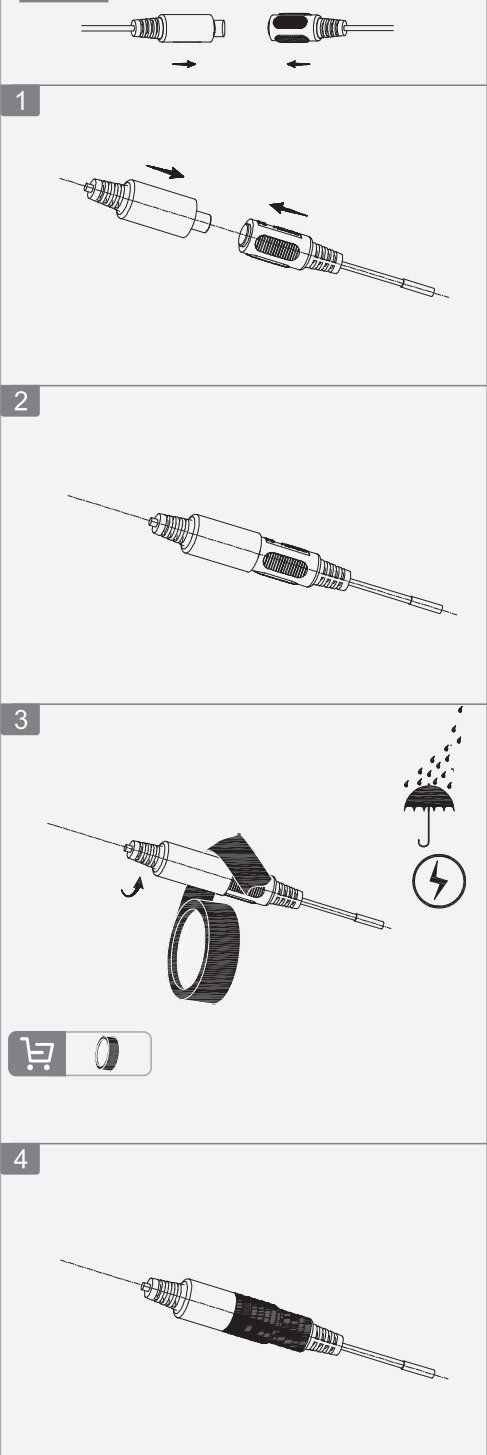


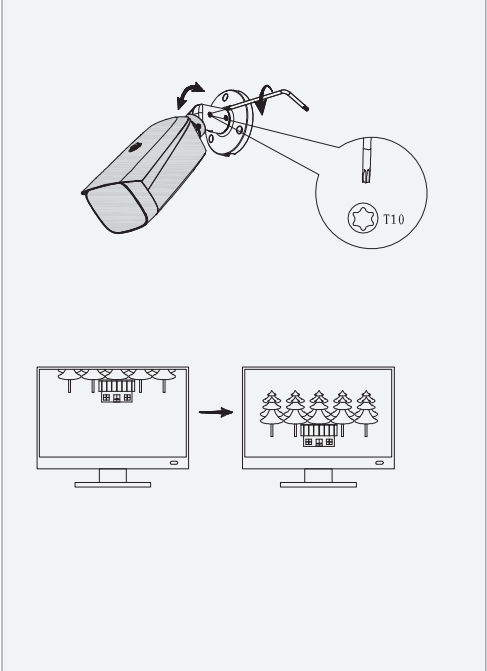
# A Optional



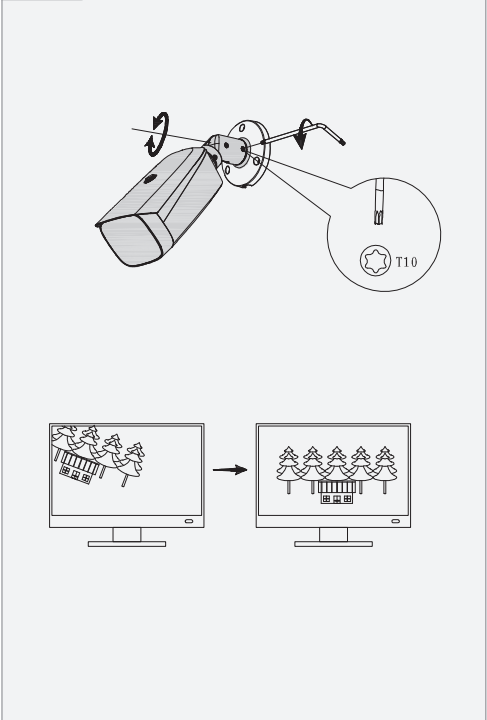
# B



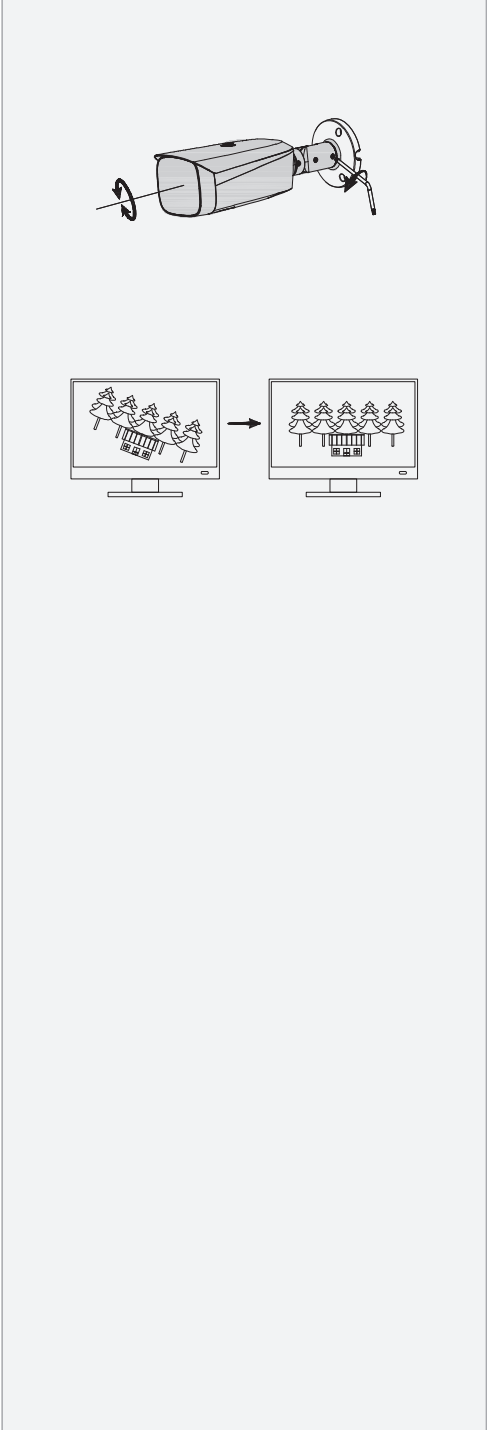
## 3.1



## 3.2



## 3.3



# Bullet Network Camera

Installation Guide

V1.0.0

