

# DH-PFA100

## Mount Adapter



### Features

- Aesthetic design
- Material: aluminum
- Mount adapter

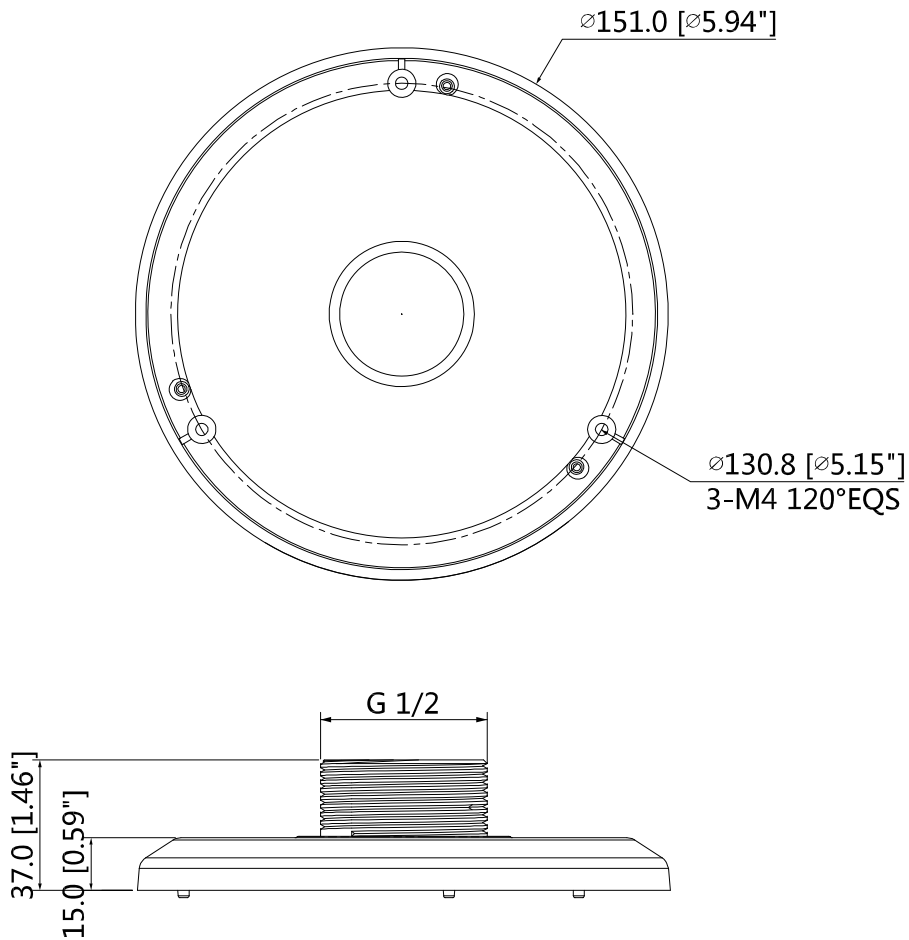
### Technical Specifications

|                       |                                  |
|-----------------------|----------------------------------|
| <b>Model</b>          | <b>DH-PFA100</b>                 |
| <b>General</b>        |                                  |
| Material              | Aluminum                         |
| Dimension             | Φ150.8mmx37mm (Φ5.94"x1.46")     |
| Pipe Thread           | G1 1/2"                          |
| Load Bearing          | 3.0kg(6.61lb)                    |
| Weight                | 0.21kg(0.46lb)                   |
| Color                 | White                            |
| Operating Temperature | -40°C ~ +60°C (-40°F ~ +140°F)   |
| Humidity              | <90% RH                          |
| Applicable Model      | Please see "Accessory Selection" |

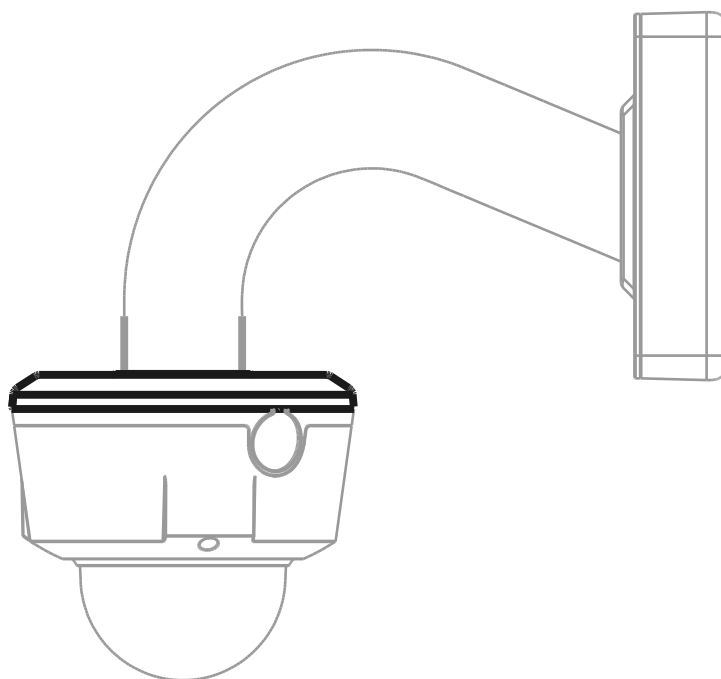
### Order Information

| Type         | Part Number | Description   |
|--------------|-------------|---------------|
| Camera Mount | DH-PFA100   | Mount adapter |
|              | PFA100      | Mount adapter |

### Dimensions (mm/inch)



## Application



## Package Information

- Mount adapter \*1