

I-BEN4M-ST | 4MP WDR IR Bullet Network Camera


- 1/3" 4Megapixel progressive CMOS
- H.264+ & H.264 dual-stream encoding
- 20fps@4M(2688x1520) & 25/30fps@3M (2304x1296)
- WDR(120dB), Day/Night(ICR), 3DNR, AWB, AGC, BLC
- Multiple network monitoring: Web viewer, CMS(DSS/PSS) & DMSS
- Micro SD card slot, up to 128GB
- 2.7~12mm varifocal lens
- Max IR LEDs Length 60m
- IP67, PoE


System Overview

The IR Megapixel Vari-focal Bullet camera delivers 4MP resolution with a motorized 2.7mm – 12mm varifocal lens. The camera's elegant blend of aesthetics combined with a range of easy mounting solutions provides an excellent choice for a variety of small to mid-size applications at an affordable price.

Functions
True Day/Night

A day/night mechanical IR cut filter makes this camera ideal for applications with fluctuating lighting conditions, delivering color images during the day and automatically switching to monochrome as the scene darkens.

Regions of interest

Regions of Interest (ROI) is a user defined feature that allows the operator to monitor specific areas of a scene while still maintaining overall situational awareness of less important areas.

Smart IR

With IR illumination, detailed images can be captured in low light or total darkness. The camera's Smart IR technology adjusts to the intensity of camera's infrared LEDs to compensate for the distance of an object. Smart IR technology prevents IR LEDs from whiting out images as they come closer to the camera. The camera's integrated infrared illumination provides high performance in extreme low-light environments up to 60m (197ft).

Wide Dynamic Range

Embedded with industry leading wide dynamic range (WDR) technology, vivid pictures are achieved even in the most intense contrast lighting conditions. For applications with both bright and low lighting conditions that change quickly, True WDR (120dB) optimizes both the bright and dark areas of a scene at the same time to provide usable video, ladder, or spending time away from the office.

Image flip

Capturing unnecessary data such as surrounding hallway walls can increase storage requirements without any added value. The image flip feature allows the camera's image to be rotated in 90° increments for better video optimization.

Protection

Supporting ±10% input voltage tolerance, this camera suits even the most unstable conditions for outdoor applications. Its 6KV lightning rating provides protection against the camera and its structure from the effects of lightning.

Interoperability

The camera conforms to the ONVIF (Open Network Video Interface Forum) specifications, ensuring interoperability between network video products regardless of manufacturer.

Smart H.264+

Delivering high quality video without straining the network, Smart H.264+ is the optimized implementation of H.264. The Smart H.264+ encoding platform includes a scene adaptive encoding strategy, dynamic GOP, dynamic ROI, flexible multi-frame reference structure and intelligent noise reduction, providing a savings of up to 70% of bandwidth and storage when compared with standard H.264.

I-BEN4M-ST | 4MP WDR IR Bullet Network Camera
Technical Specifications

Camera					
Image Sensor	1/3" 4Megapixel progressive CMOS				
Effective Pixels	2688(H) x1520(V)				
RAM/ROM	256M/16M				
Scanning System	Progressive				
Electronic Shutter Speed	Auto/Manual, 1/3(4)~1/100000s				
Minimum Illumination	0.1Lux/F1.4(Color), 0Lux/F1.4(IR on)				
S/N Ratio	More than 50dB				
IR Distance	Distance up to 60m				
IR On/Off Control	Auto / Manual				
IR LEDs	4				
Lens					
Lens Type	Motorized				
Mount Type	Board-in				
Focal Length	2.7mm~12mm				
Max. Aperture	F1.4				
Angle of View	H:100°~35°, V:54°~20°				
Focus Control	Auto				
Close Focus Distance	0.3m				
DORI Distance	Lens	Detect	Observe	Recognize	Identify
	W	68m	27m	14m	7m
	T	192m	77m	39m	19m
Pan/Tilt/Rotation					
Pan/Tilt/Rotation	Pan:0°~360° Tilt:0°~90° Rotation:0°~360°				
Video					
Compression	H.264+/H.264				
Streaming Capability	2 Streams				
Resolution	4M(2688×1520)/3M(2304×1296)/1080P(1920×1080)/1.3M(1280×960)/720P(1280×720) / D1(704×576/704×480) / CIF(352×288/352×240)				
Frame Rate	4M(1~20fps)/3M(1~25/30fps) D1/CIF(1 ~ 25/30fps)				
Bit Rate Control	CBR/VBR				
Bit Rate	H264:24K ~ 8192Kbps				
Day/Night	Auto(ICR) / Color / B/W				

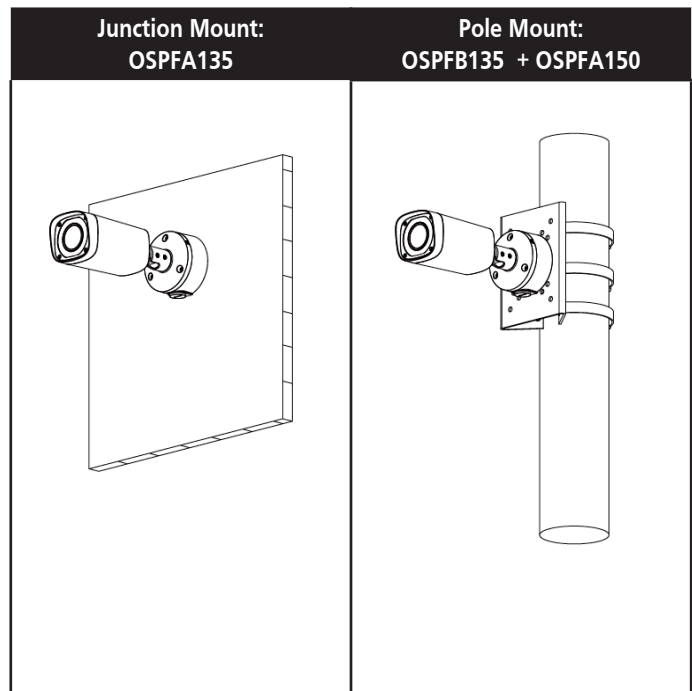
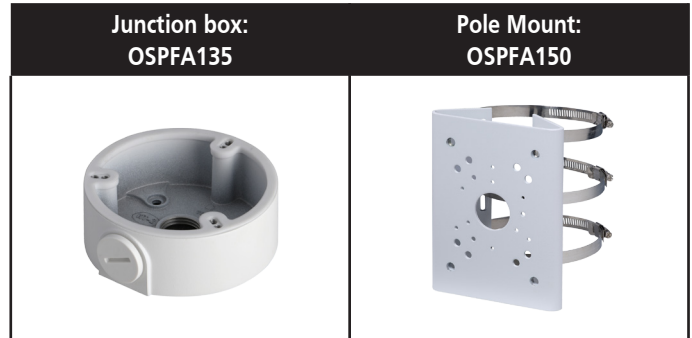
BLC Mode	BLC / HLC / WDR(120dB)
White Balance	Auto/Natural/Street Lamp/Outdoor/Manual
Gain Control	Auto/Manual
Noise Reduction	3D DNR
Motion Detection	Off / On (4 Zone, Rectangle)
Region of Interest	Off / On (4 Zone)
Electronic Image Stabilization (EIS)	N/A
Smart IR	Support
Defog	N/A
Digital Zoom	16x
Flip	0°/90°/180°/270°
Mirror	Off / On
Privacy Masking	Off / On (4 Area, Rectangle)
Audio	
Compression	N/A
Network	
Ethernet	RJ-45 (10/100Base-T)
Protocol	HTTP;HTTPS;TCP;ARP;RTSP;RTP;UDP;SMTP;FTP; DHCP;DNS;DDNS;PP-POE;IPv4/v6;QoS;UPnP;NTP; Bonjour;802.1x;Multicast;ICMP;IGMP;
Interoperability	ONVIF, PSIA, CGI
Streaming Method	Unicast / Multicast
Max. User Access	10 Users /20 Users
Edge Storage	NAS (Network Attached Storage) Local PC for instant recording Micro SD Card 128GB
Web Viewer	IE, Chrome, Firefox, Safari
Management Software	Smart PSS, DSS, Easy4ip
Smart Phone	IOS, Android
Certifications	
Certifications	CE (EN 60950:2000) UL:UL60950-1 FCC: FCC Part 15 Subpart B
Interface	
Video Interface	N/A
Audio Interface	N/A
RS485	N/A
Alarm	N/A

I-BEN4M-ST | 4MP WDR IR Bullet Network Camera

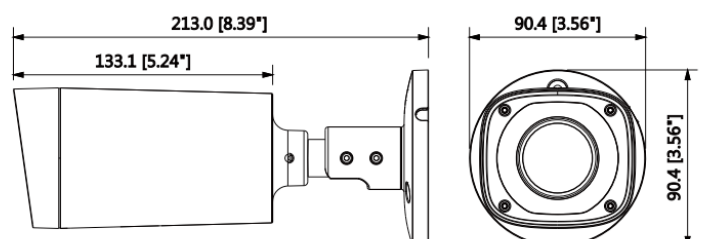
Technical Specifications

Electrical	
Power Supply	DC12V, PoE(802.3af)(Class 0)
Power Consumption	<12.95W
Environmental	
Operating Conditions	-30° C ~ +60° C (-22° F ~ +140° F) / Less than 95% RH
Storage Conditions	-30° C ~ +60° C (-22° F ~ +140° F) / Less than 95% RH
Ingress Protection	IP67
Vandal Resistance	N/A
Construction	
Casing	Metal
Dimensions	72mm×80mm×212.8mm ((2.8" x 3.1" x 8.4"))
Net Weight	0.685Kg (1.51lb)
Gross Weight	0.86Kg (1.90lb)

Accessories



Dimensions (mm/inch)



* The information contained in this document (photos, drawings, dimensions, specifications) may be subject to change without prior notice.

** Copyright© Osiris Security. All rights reserved. The information in this document can not be published, rewritten or republished in any form. If you wish to use the text or images in this document for commercial reasons, please contact marketing@osiris-security.com