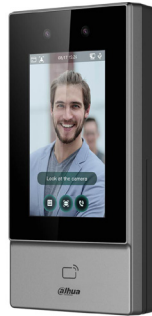


DHI-ASI6213S-PW

Face Recognition Access Controller



Technical Specification

System

Main Processor	Embedded Processor
Button Type	Touch button
Network Protocol	UDP; TCP; IPv4; RTSP; SIP; P2P; RTP
OSDP Protocol	Yes
Interoperability	CGI; ONVIF
SDK and API	Yes

Basic

Product Type	Standalone
Display Screen	4.3" LCD
Screen Type	Capacitive Touchscreen
Screen Resolution	272 (H) × 480 (V)
Camera	2-MP CMOS HD dual-lens camera
WDR	DWDR
Light Compensation	Auto IR
Voice Prompt	Yes
Buzzer	Yes
Casing Material	PC+GF

Function

Unlock Mode	Card, remote, password, QR code, face and combination unlock
Card Type	IC cards
Period List	128 periods

- 4.3 inch glass touch screen with a resolution of 272 × 480.
- 2-MP wide-angle dual-lens camera with IR illumination and DWDR.
- Multiple unlock methods including face, IC card and password.
- Supports 6,000 users, 6,000 faces, 6,000 passwords, 10,000 cards, 50 administrators, and 300,000 records.
- Recognizes faces 0.3 m to 1.5 m away (0.98 ft-4.92 ft); face recognition accuracy rate of 99.9% and the 1:N comparison time is 0.2 s per person.
- Supports improved security and to protect against the device being forcefully opened, security module expansion is supported.
- Features face mask detection and safety helmet detection.
- Manages attendance and exports attendance records.
- Supports visitor QR code and doorbell function.
- Supports making video calls and using the app to receive alarm notifications, remotely unlock doors and to perform other tasks.
- TCP/IP and Wi-Fi connection.
- PoE power supply.
- IP65 rated.

Holiday Period	128 periods
Network Update	Yes
First User Unlock	Yes
Remote Verification	Yes
Restricted List/Trusted List	Yes
Wi-Fi	Yes
Wireless Standard	IEEE802.11b/802.11g/802.11n
Wireless Frequency Range	2.4 GHz
Peripheral Card Reader	1 × RS-485 card reader 1 × Wiegand card reader
Multi-user Authentication	Yes
Real-time Monitoring	Yes
Multi-factor Authentication	Yes
Capture Function	Yes
Web Configuration	Yes
Auto Registration	Yes

Performance

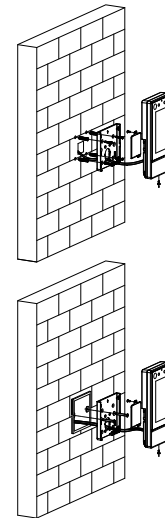
Card Reading Distance	0 cm–3 cm (0"–1.18")
Face Recognition Height Range	1.1 m–2.0 m (3.61 ft–6.56 ft)
Face Recognition Distance	0.3 m–1.5 m (0.98 ft–4.92 ft)

DHI-ASI6213S-PW

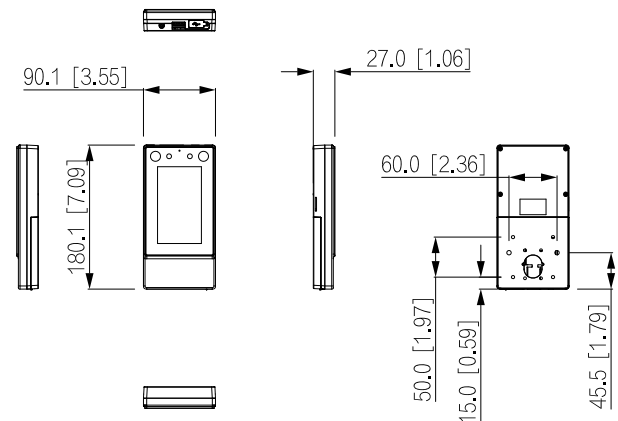
Face Recognition Accuracy	99.9%
Face Recognition Time	0.2 s
User	
User (Card) Type	Normal user; VIP users; patrol users; guest user; blocklist user; other user; custom user 1; custom user 2
Capacity	
User Capacity	6000
Face Image Capacity	6000
Card Capacity	10000
Password Capacity	6000
Record Capacity	300000
Port	
RS-485	1
Wiegand	1
USB	1
Network Port	1 × RJ-45 10/100 Mbps self-adaptive Ethernet port
Alarm Input	1
Alarm Output	1
Alarm Linkage	Yes
Exit Button	1
Door Status Detection	1
Lock Control	1
Alarm	
Anti-pass Back	Yes
Tamper Alarm	Yes
Duress Alarm	Yes
Door Sensor Timeout	Yes
Intrusion	Yes
Illegal Card Exceeding Threshold	Yes
General	
Power Adapter	Included
Power Supply	Stanard PoE 12 VDC, 1.5 A
Protection	IP65
Power Consumption	≤12 W
Product Dimensions	180.1 mm × 90.1 mm × 27.0 mm (7.09" × 3.55" × 1.06") (L × W × H)
Packaging Dimensions	268 mm × 136 mm × 78 mm (10.55" × 5.35" × 3.07") (L × W × H, in an inner carton) 590 mm × 432 mm × 302 mm (23.23" × 17.01" × 11.89") (L × W × H, protection box)
Operating Temperature	-30 °C to +60 °C (-22 °F to +140 °F)

Operating Humidity	0%–90% (RH), non-condensing
Operating Altitude	0 m–1,300 m (0 ft–4265.09 ft)
Operating Environment	Outdoor; Indoor
Gross Weight	0.70 kg (1.54 lb)
Accessory	Wall mount bracket (included)
Installation	Turnstile mount; 86 case mount; wall mount; surface mount

Installation



Dimensions (mm[inch])



Application

