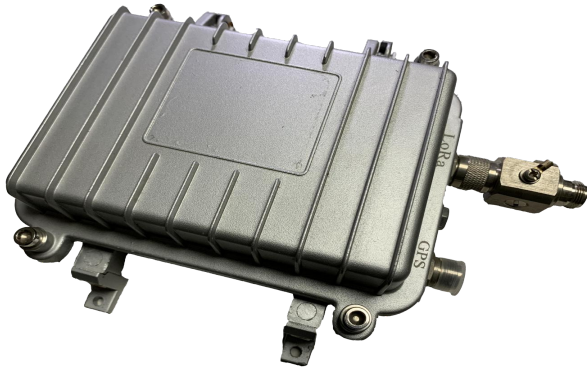


# DHI-ITSGL-4101-B

## LoRaWan GateWay Ethernet



- 220 VAC power supply; average power consumption remains below 5 W.
- Stable Ethernet communication.
- Maximum radius of 3 km. For cities, the ideal radius is 400 m and below.
- Recommended number of devices allowed to access the gateway: 100.
- IP67 rated.

### System Overview

DHI-ITSGL-4101-B is a TDD gateway product powered by LoRaWAN system that features multi-frequency and multi-channel concurrent reception. Driven by its 220 VAC power supply, the gateway effortlessly collects and processes geomagnetic data, generating reports which are sent to the parking management platform via Ethernet. It is available for use in a variety of parking related scenarios. Purchase it to use in parking guidance, to help count parking spaces and calculate parking fees.

### Scene

The device is widely used in outdoor parking lots and roadside parking spaces.

### Technical Specification

#### Basic

CPU	Cortex-A8@1 GHz processor
RAM	512 MB@DDR3
ROM	8 GB
Communication Mode	LoRa communication Supports standard LoRaWAN protocol access
Communication Band	863 MHz–870 MHz
Max. Transmission Power	25±1 dBm
Receiver Sensitivity	-139dBm
Casing	Aluminum
Statics Protection	Contact: 8 kV
Communication Distance	Open area: 3 km (9842.52 ft) City: 400 m (1312.34 ft)
Equipment Access Capacity	Recommended: 100

#### Function

Data Reception	Monitors all channels and collects all the data packs that meet LoRaWAN specifications. Packs are sent to the server via Ethernet
Data Sending	Receives commands from the server and sends them to the end devices

#### Port

Power	1 × waterproof connector
Network Port	1 × RJ-45
Antenna	1 × GPRS Antenna 1 × LoRa Antenna

# LoRaWan GateWay | DHI-ITSGL-4101-B

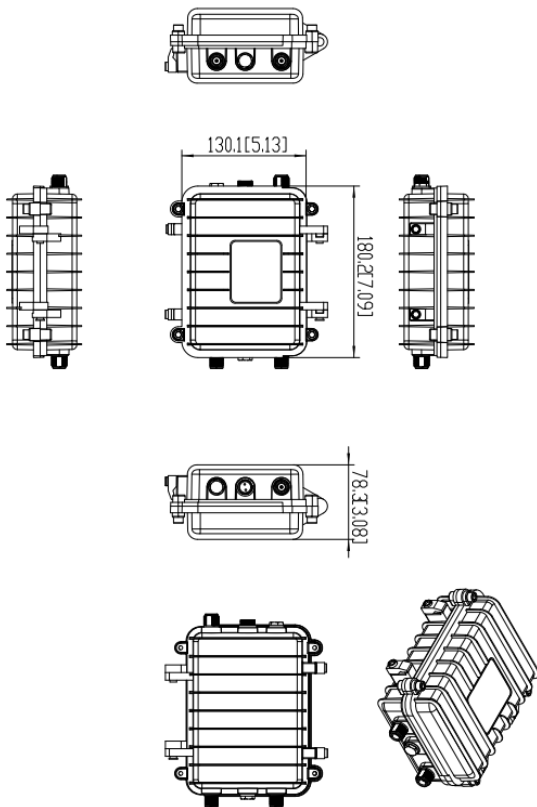
## General

Power Supply	12 ± 2 VDC (included power adapter)
Power Consumption	Average: 5 W Max. 15 W
Operating Temperature	-40 °C to +85 °C (-40 °F to +185 °F)
Storage Temperature	-40 °C to +85 °C (-40 °F to +185 °F)
Product Dimensions	180.2 mm × 130.1 mm × 78.3 mm (7.09" × 5.12" × 3.08")
Net Weight	1.0 kg (2.20 lb)
Gross Weight	3.5 kg ± 0.5 kg (7.72 lb ± 1.10 lb)
Installation	Wall mount; Pole mount (pick an open area for better reception)

## Ordering Information

Type	Model	Description
Geomagnetism	DHI-ITSGL-4101-B	LoRaWan GateWay Ethernet

## Dimensions (mm [inch])



## Installation

