



VISIONPASS METAL MOUNT

PN 293784546



VISIONPASS METAL MOUNT

PN 293784546

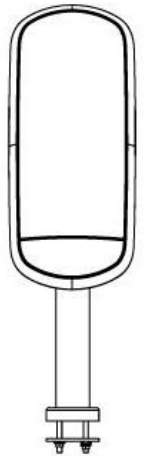
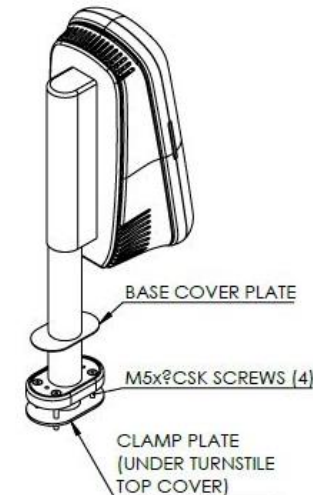
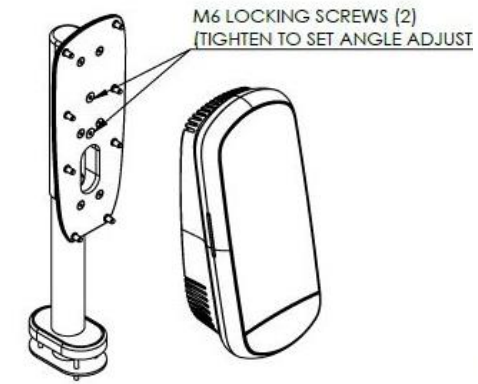


› Description

- Stainless steel and aluminum
- Exclusively design for standard wall mount (293744539)
- Angle adjustable : +/- 20°
- Size : 423 x 100 x 42 mm
- Weight : 2kg
- Individually packed in Card box ~ 450mm x 150mm x100mm

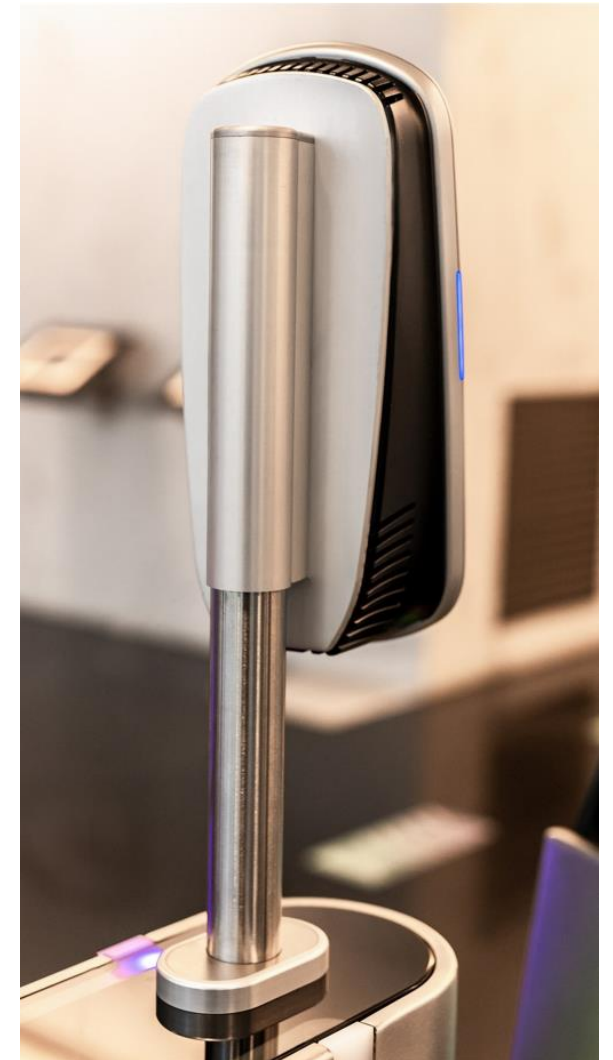
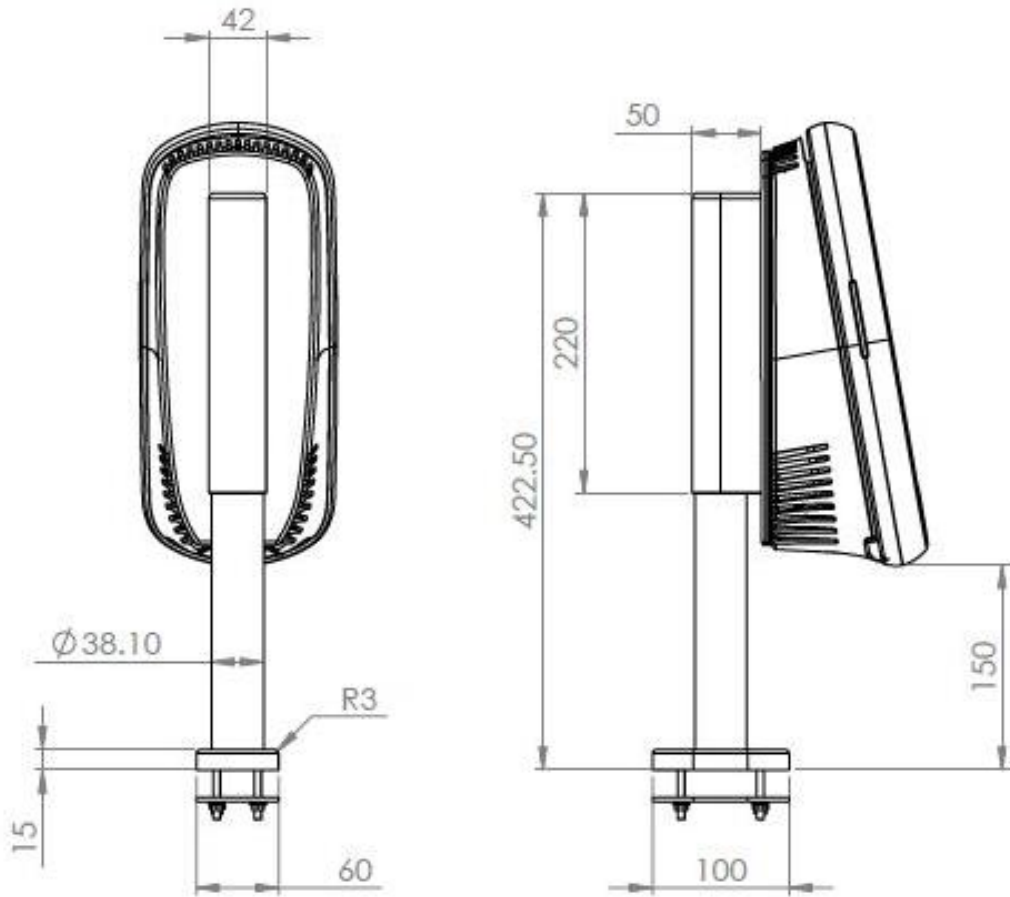
› SpeedGate pre-requirements

- Speedgate top at 100cm height
- Distance between devices : 80cm
- Possibility to do 4 x 5mm + 1 x 3cm holes in speedgate top
- Free space of 100 x 60mm and cabling exit (power & PAC interfaces)



DRAWINGS

General Sizes



DRAWINGS

Clamp plate

