

# DH-PFB600W

## Ceiling Mount Bracket



- Built of aluminum alloy and PC material.
- Supports being adjusted 360° horizontally and between -60° to 0° vertically.
- Compatible with DH-PFH610 Series Housing.



### Series Overview

Dahua Mounting Bracket works with front-end services, supporting installation methods such as wall mount, pole mount, corner mount and in-ceiling mount. Select brackets are designed to suit complex scenes, making them convenient to use in environments with high temperatures, humidity, frequent vibrations, and in locations that are highly corrosive. These highly reliable brackets are easy to install and use.

### Scene

Ideal for mounting cameras, and works in temperatures ranging from -40 °C to +60 °C (-40 °F to +140 °F) and in environments with a relative humidity of less than 90%.

### Technical Specification

Structure

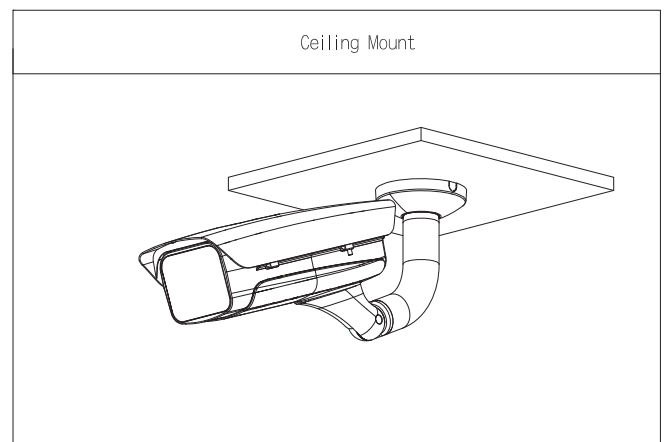
Casing Material	Aluminum alloy, PC
Product Dimensions	313.7 mm × 133.6 mm × 249.7 mm (12.35" × 5.26" × 9.83") (L × W × H)
Appearance Color	White
Net Weight	0.96 kg (2.12 lb)
Gross Weight	1.14 kg (2.51 lb)
Load Bearing	4.0 kg (8.82 lb)
Installation	Ceiling mount
Adjustable Inclination Angle	-60°-0°
Rotation Angle	0°-360°

Applicable Model	Please see "Camera Accessories Selection"
Packaging Dimensions	277 mm × 142 mm × 252 mm (10.91" × 5.59" × 9.92") (L × W × H)
Environment	
Operating Temperature	-40 °C to +60 °C (-40 °F to +140 °F)
Operating Humidity	< 90% (RH)
Storage Temperature	-40 °C to +60 °C (-40 °F to +140 °F)
Storage Humidity	10%-90% (RH)
Anti-corrosion Level	Basic Protection

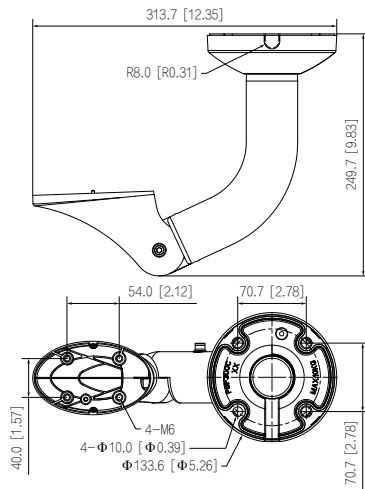
### Ordering Information

Type	Model	Description
Camera Mount	DH-PFB600W	Ceiling Mount Bracket

### Installation



## Dimensions (mm[inch])



## Package Information

- Ceiling mount bracket × 1